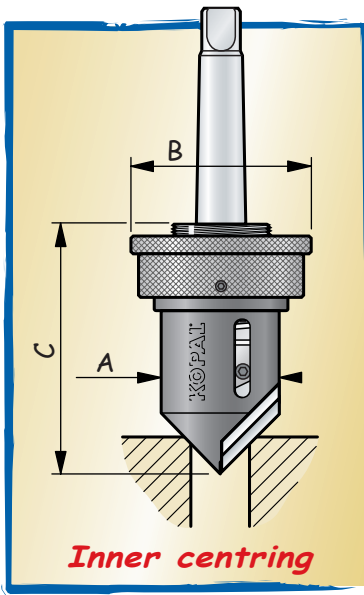
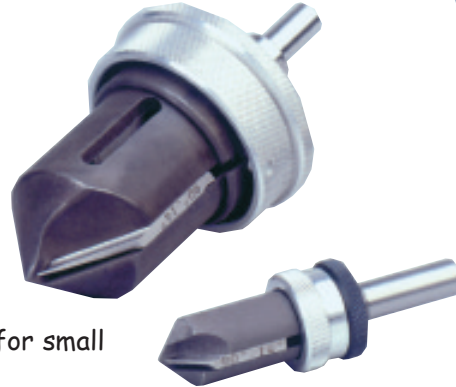
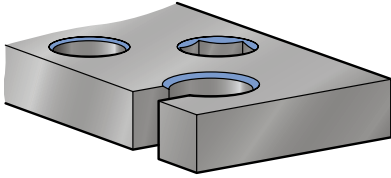


Chamfers any cylindrical, polygonal, or interrupted hole edges at 90°.



Blades

1 cutting edge for small models 2-18.
All the other models have 2 cutting edges.

Ingeniously reversible

Model	A	B	C 90° / 60°
2-18	Ø 18	Ø 26	55 / 64
2-42	Ø 42	Ø 65	85 / 108
20-60	Ø 60	Ø 70	94 / 106
40-80	Ø 80	Ø 90	100 / 114
60-100	Ø 100	Ø 110	104
80-120	Ø 120	Ø 130	104

The inner HSS blades are sharpened with cutting angles of: 0° - 14° - 20° and 25°, to be specified on ordering.

Carbide blades are available for models: 2-42 and 20-60, 40-80 and 60-100 at 60° and 90° (0° cut).

Diameter of the chamfer	Model	Attachment	Angle of the chamfer tip			
			60° Ref.	82° Ref.	90° Ref.	120° Ref.
2 to 17	2-18	cyl. Ø 10 CM1	01-030	01-050	01-010	01-080
			01-035			01-015
3 to 41	2-42	cyl. Ø 10/Ø 16 cyl. Ø 12.7 CM1 CM2 CM3	01-120	01-145	01-095	01-195
			01-125	01-150	01-100	
			01-115			01-090
			01-116	01-141	01-091	01-191
			01-117	01-142	01-092	
21 to 59	20-60	CM2	01-215		01-210	
40 to 77	40-80	CM2	01-230		01-225	
		CM3	01-231		01-226	
60 to 97	60-100	CM3			01-241	
80 to 117	80-120	CM3			01-256	

